

TATA MOTORS



TATA

# LPK 2518

## TRANSIT MIXERS

***STRONG & STURDY,  
JUST LIKE CONCRETE***



TATA Cummins  
ISBe 5.9 BSV Engine

Fuel Efficiency Technologies  
for Better Fuel Mileage



G750 Gearbox

Proven & Reliable  
for Optimised Torque



Heavy Duty Axles

Strong & Rugged



Higher Profits

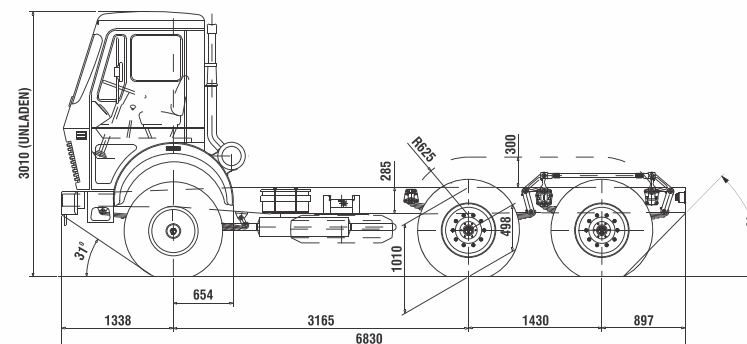
Lower Maintenance,  
More Trips, Better Revenue

# Tata LPK 2518 RMC

## Technical Specifications

<b>MODEL</b>	<b>LPK 2518 RMC CABIN BSIV</b>	
<b>ENGINE</b>	Engine Type	CUMMINS ISBe5.9 180 40
	Max. Engine Output	134 kW @ 2500 r/min
	Max. Torque	700 Nm @ 1500 r/min
	No. of Cylinders	6 inline
	Engine Capacity	5883 cc
	Emission Compliance	BSIV
<b>CLUTCH</b>	Engine Clutch Type	Single plate dry friction type
	Outside diameter of clutch lining	380 dia organic clutch
<b>GEARBOX</b>	Gearbox Model	TATA G750
	No. of Gears	6 Forward + 1 Reverse
	Gear Ratios	1st - 8.45
<b>AXLE</b>	Front	Extra heavy duty forged I beam Reverse Elliot type
	Rear	RA-109SRT. Extra heavy duty, hypoid gears, fully floating axle shafts
	Rear Axle Ratio	6.83
<b>SUSPENSION</b>	Suspension	Semi elliptical leaf spring at front and rear, antiroll bar at front axle only
<b>CHASSIS FRAME</b>	Chassis Type	Ladder type heavy duty frame
<b>STEERING &amp; CABIN</b>	Steering	Hydraulic power steering
	Steering Wheel Dia.	470 mm
	Cabin Description	Comfortable steel cabin
<b>TYRES &amp; BRAKES</b>	Tyres	10.00 x 20 -16 PR
	Front & Rear Brakes	Full air S-Cam with automatic adjuster
	Service Brakes	Dual circuit full air S-cam brake
	Parking Brake Description	Spring actuated parking brake acting on rear wheels
	Auxiliary Braking System	Engine exhaust brake

<b>ELECTRICALS</b>	Battery	12 V x 2 =24 V, 120 Ah
<b>PERFORMANCE</b>	Max. Climbing Ability (1 <sup>st</sup> Gear)	28 %
	Minimum Turning Circle Dia.	17000 mm
	Minimum Turning Circle Clearance Dia.	18500 mm
	Ground Clearance	235 mm
<b>DIMENSIONS</b>	Wheelbase	3880 mm
	Length	6830 mm (7330 mm- Gold)
	Width	2592 mm
	Height	3010 mm
<b>WEIGHT</b>	Gross Vehicle Weight (GVW)	25000 kg
<b>BSIV</b>	BSIV Technology	Selective Catalytic Reduction (SCR)
<b>TECHNOLOGY &amp; FUEL TANK</b>	Recommended SCR Reagent	Diesel Exhaust Fluid (DEF)
	Fuel Tank Capacity	300 l
	DEF Tank Capacity	35 l
<b>BODY DETAILS</b>	Application	Ready Mix Concrete (RMC)
	Max. RMC Body Suitability	6 CuM (7 CuM- Gold)



## TATA MOTORS

For more information, please email at [construck@tatamotors.com](mailto:construck@tatamotors.com) or visit our website: [www.construck.tatamotors.com](http://www.construck.tatamotors.com).

You can also contact our Sales Office: **Tata Motors Limited**, 4th Floor, Ahura Centre, 82, Mahakali Caves Road, MIDC, Andheri (East), Mumbai 400093 or call toll-free no. **18002097979**.

\*Terms & Conditions apply. CAUTION: Accessories shown in the picture or elsewhere do not constitute standard fitment. The specifications are merely indicative. Due to continuous product improvements, these specifications are liable to change without notice.



### Best-in-Class Warranty

4 Years or 4000 Hrs on Driveline consisting of Engine, Transmission & Rear Axle\*

\*Terms & Conditions Apply

